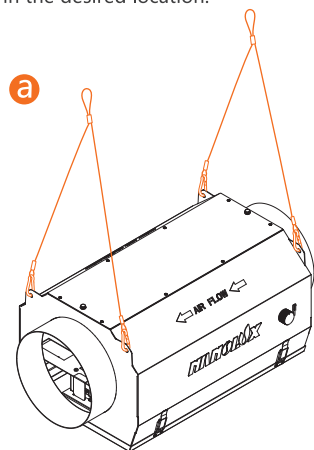


## FIXTURE HANGING

Fixture hanging equipment included with unit for necessary mounting.

1. Attach the steel wire hanger to fixture.
2. Hang the fixture in the desired location.



Fixture hanging equipment with optional bracket.

1. Remove the two screws from both sides of the top cover.
2. Install two hanging brackets.
3. Confirm the hanging brackets are installed on the fixture properly and is not loose.
4. Hang the fixture in the desired location.



-04-

## MAINTENANCE

There are no serviceable parts inside the luminaire. Opening the luminaire will void the warranty. Keep housing clean from dust and dirt with a dry or damp cloth to ensure optimal cooling. When using a damp cloth disconnect from the power first. Check your electrical connections regularly.

## WARRANTY

Nanolux Technology warrants the mechanical and electronic components of this product to be free of defects in material and workmanship if used under normal operating conditions for a period of three (3) years from the original date of purchase. If the product shows any defects within this period and that defect is not due to user error or improper use. Nanolux Technology shall, at its discretion, either replace or repair the product using suitable new or refurbished parts. For Nanolux DE HPS lamps and reflector the warranty period is one (1) year from the original date of purchase. In case Nanolux decides to replace the entire product, this limited warranty shall apply to the replacement ballast for the remaining initial warranty period, i.e. three (3) years from the date of purchase of the original product. For service return the ballast to your shop with the **original sales receipt**.

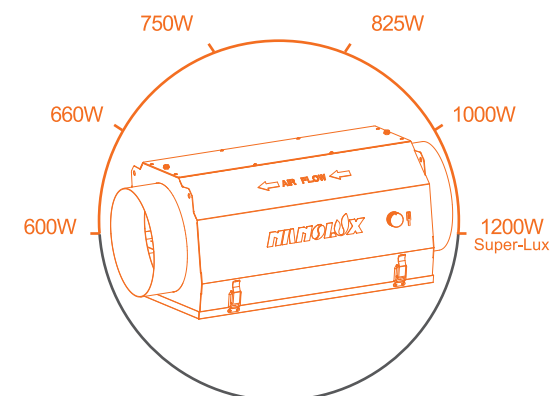
For more information about Nanolux product please visit [nanoluxtech.com](http://nanoluxtech.com)

# OPERATING MANUAL

## DIGITAL ELECTRONIC BALLAST

### DE-CHILL 1000W/600W DOUBLE ENDED FIXTURE

NCCS APP COMPATIBLE



ADJUSTABLE  
POWER+  
SOFT DIM



PATENTED PRODUCTS, COUNTERFEITING NOT ALLOWED.

Designed by NANOLUX in California  
Made in China

**NANOLUX** HE  
[www.nanoluxtech.com](http://www.nanoluxtech.com)  
Illuminating Your Grow

## PLEASE READ THESE INSTRUCTIONS FIRST BEFORE INSTALLATION

Congratulations on the purchase of your new Nanolux DE-CHILL 1000W/600W luminaire. The DE-CHILL air-cooled hood removes the heat from the lamp and ballast through air ducts and vents to the outside growing environment.

This lowers air conditioning costs in the facility by removing the hot air building up.

We have done everything to insure a long life and safe operation but the installation and use of the ballast is the responsibility of the end user.

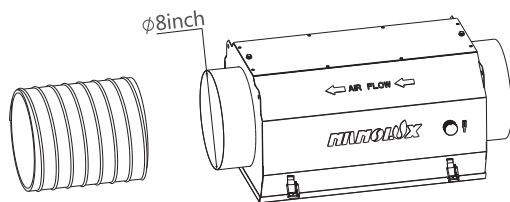
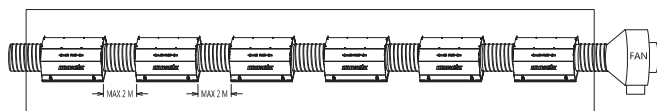
Incorrect use or installation can lead to failure and damage to the ballast. Damage to the luminaire and electronic circuitry, because of incorrect installation and use, revokes your warranty. Read this manual carefully before installing your luminaire.

## TECHNICAL SPECIFICATIONS

Model	1000W	600W
Input Voltage	120V/208V/240V, 277V(optional)	
Output Voltage	200V-300V	70V-150V
Input Frequency	50/60Hz	50/60Hz
Output Power	1200W Max	660W Max
Power Factor	≥0.99	≥0.99
Crest Factor	≤1.7	≤1.7
THD	≤10%	≤10%
Dimming	600W-660W-750W-825W-1000W-1200W(Super-Lux)	300W-450W-600W-660W(Super-Lux)
Strike Lamp	Double Ended Lamp	Double Ended Lamp
Protection Function	Over Temperature Protection; Over/Under Voltage Protection; Open/Short Circuit Protection;	
Size (L*W*H)	590*340*252mm 23.2*13.4*9.9 inch	590*340*252mm 23.2*13.4*9.9 inch
Weight	10.5 kgs 23.1 lbs	9.2 kgs 20.3 lbs

## INSTALL FIXTURE

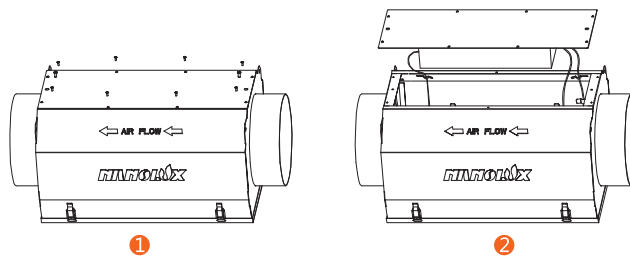
1. Make sure power is OFF!
2. Connect fixtures with 8" diameter ventilation pipe.
3. Distance between fixtures within two meters.
4. No more than six fixtures can be placed in series.
5. Do not turn on lamp until fully installed.
6. Do not touch fixture enclosure with bare hands as it may cause injury.
7. Fan must operate while operating or thermal protection will turn it off.



## HOW TO REMOVE BALLAST

1. Remove the 10 screws from the top of the fixture.
2. Lift the top cover upwards and unplug the three cables from the ballast.

-01-



## INSTALLATION COMPLY WITH LOCAL INSTALLATION REGULATIONS

These luminaires are suitable for a damp indoor location. Do not install your luminaires in a wet environment or outdoors.

Do not operate these luminaires close to combustible materials. The lamp and reflector will get hot during operation. Do not touch the reflector or lamp during or right after operation. Make sure the power cord does not touch any hot part of the luminaire. Make sure the lamp is clean and inserted correctly. A normal operating environment temperature should be below 122°F. Exceeding the maximum environmental temperature will trigger over temperature protection, leading to shorter lifetime and decreased reliability.

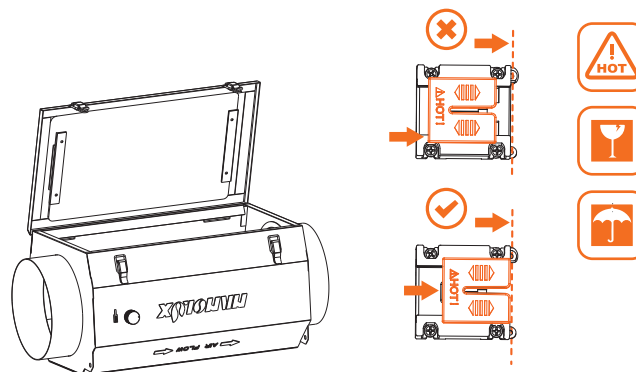
When using a NCCS-RTU in the USB port of a DE-CHILL fixture, the dimming control dial on the fixture will no longer function.

RTU is removed from the ballast during operation OR the RTU loses communication with the DTU for any reason, the ballast will automatically turn off after 10 minutes. The ballast has to be unplugged from the power source and turned back on to reset. The ballast will then run in regular mode (no NCCS) or if a RTU is plugged in, it will operate in NCCS mode. If the ballast continues to turn off for any reason during operation with the RTU, replace the RTU and confirm the fixture is communicating with the DTU. For further NCCS APP customer support and tech support pages, visit [www.nanoluxtech.com](http://www.nanoluxtech.com).

## LAMP REPLACEMENT AND HOT RESTRIKE

CAUTION:

- Always install the lamp before connecting your luminaire to mains.
- Allow lamp to cool 10 minutes before restarting (hot restrike).
- When changing the lamp always disconnect the luminaire from mains by removing the mains plug. Let the lamp and reflector cool down for 10 minutes before changing as they are very hot. When replacing a defect lamp you must disconnect the power for the ballast to restart.
- DO NOT touch hot ceramic socket.
- Make sure the DE lamp wires are placed correctly within the socket copper wire clamps.
- Make sure to fully close the ceramic socket to the correct position and keep the socket clean.
- Fragile !! Be careful and do not exert excessive force while moving the ceramic slider on the ceramic socket connection.
- Before replace lamp, open the fixture's bottom window.
- DE-CHILL fixtures use heat-resistant glass with high light transmittance.
- Normal glass may burst due to high temperature and may block reflected light from the inside geometry of the reflector.



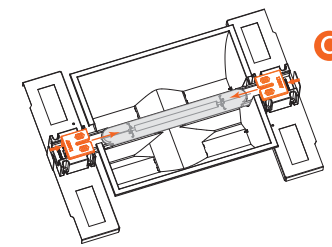
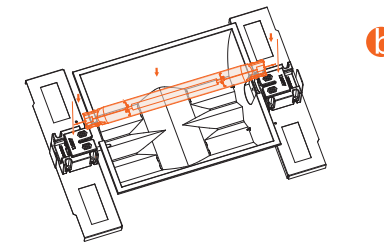
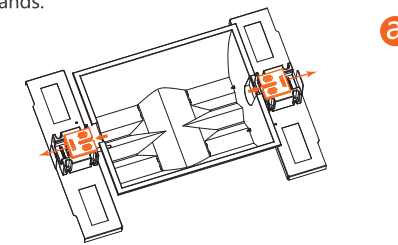
-02-

### TO TAKE OUT A LAMP:

- DISCONNECT THE MAINS FIRST.
- Open the lamp holders by sliding them outward. The lamp is held by a metal spring at each side. It is recommended to hold the lamp while opening the lamp holders to prevent the lamp from falling.

### TO INSTALL A NEW LAMP:

- DISCONNECT FROM MAINS FIRST.
- Make sure the lamp is clean: wear cotton gloves and clean the lamp after installation with a dry soft cloth. Never use detergents to clean a lamp: use pure alcohol or wipe clean with a dry clean soft cloth.
- Make sure the end wires are straight.
- Open the lamp holders by sliding them outward. Press the lamp in the fitting until the metal springs hold the lamp, and the glass vacuum seal pointed downward.
- Close the lamp holders by sliding them inward.
- Wipe the lamp with a clean soft cloth.
- Be sure not to touch the reflective material on the reflector with your bare hands.



## SUITABLE LAMPS

The Nanolux DE-CHILL 1000W/600W fixtures are designed and tested to drive High Pressure Sodium (HPS) Electronic lamps. Using regular 1000W and 600W HPS lamps can cause damage to your ballast and lamp.

## REFLECTOR REPLACEMENT

The Nanolux DE-CHILL 1000W/600W fixture should be handled with care. If it is damaged or deformed you should replace it. We recommend you change the reflector every year for optimal results. Replacement reflectors are available through your Nanolux Technology reseller.

To replace the reflector, you must remove the lamp first as described above in how to install the lamp. If it has been operating, let the reflector cool down to prevent an injury. At the end of the reflector bracket, you will find a chrome knob. Pull the knob outward to release the pin holding the reflector in place (a-1). The reflector can then be pulled away from the ballast end of the bracket to remove it from the two pins holding it in place (a-2 & a-3).

When inserting the new reflector, slide it into the two pins (a-2 & a-3) and then release the pin (a-1) to secure it in place.

-03-