

## ? SUITABLE LAMPS

The Nanolux DE 1000W and 600W luminaires are designed and tested to drive High Pressure Sodium (HPS) Electronic lamps. Using regular 1000W and 600W HPS lamps can cause damage to your ballast and lamp.

## REFLECTOR REPLACEMENT

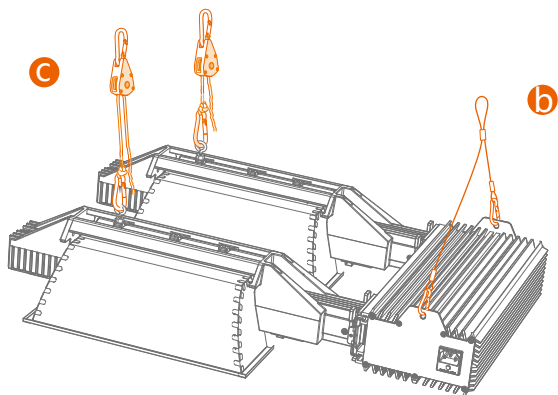
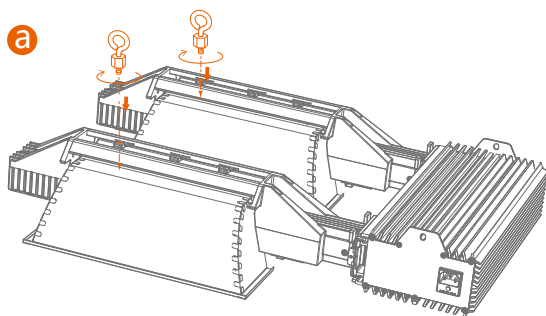
The Nanolux DE fixture should be handled with care. If it is damaged or deformed you should replace it. We recommend to change the reflector every year for optimal results. Replacement reflectors are available through your Nanolux Technology reseller.

To replace the reflector, you must remove the lamp first as described above in how to install the lamp. Let the reflector cool down if it has been operating to prevent an injury. At the end of the reflector bracket, you will find a chrome knob. Pull the knob outward to release the pin holding the reflector in place (a-1). The reflector can then be pulled away from the ballast end of the bracket to remove it from the two pins holding it in place (a-2 & a-3). When inserting the new reflector, slide it into the two pins (a-2 & a-3) and then release the pin (a-1) to secure it in place.

## FIXTURE HANGING

Fixture hanging equipment included with unit for necessary mounting.

1. Attach the ring bolt to the reflector support frame(a).
2. Attach the carbiners on the steel wire hanger to ballast hanging holes(b).
3. Hang the fixture in the desired location(c).



-04-

## ! MAINTENANCE

There are no serviceable parts inside the luminaire. Opening the luminaire will void warranty. Keep housing clean from dust and dirt with a dry or damp cloth to ensure optimal cooling. When using a damp cloth disconnect from the power first. Check your electrical connections regularly.

## WARRANTY

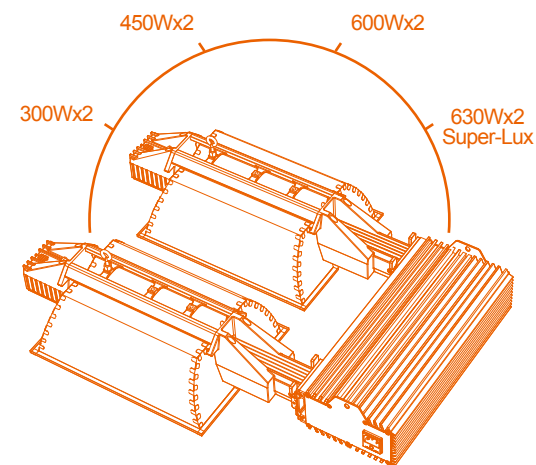
Nanolux Technology warrants the mechanical and electronic components of this product to be free of defects in material and workmanship if used under normal operating conditions for a period of three (3) years from the original date of purchase. If the product shows any defects within this period and that defect is not due to user error or improper use Nanolux Technology shall, at its discretion, either replace or repair the product using suitable new or refurbished parts. For Nanolux DE HPS lamps and reflector the warranty period is one (1) year from the original date of purchase. In case Nanolux decides to replace the entire product, this limited warranty shall apply to the replacement ballast for the remaining initial warranty period, i.e. three (3) years from the date of purchase of the original product. For service return the ballast to your shop with the **original sales receipt**.

For more information about Nanolux product please visit [nanoluxtech.com](http://nanoluxtech.com)

# OPERATING MANUAL

## DIGITAL ELECTRONIC BALLAST

### SUPER DE 600Wx2



ADJUSTABLE  
POWER+  
SOFT DIM



**PATENTED PRODUCTS, COUNTERFEITING NOT ALLOWED.**

Designed by NANOLUX in California  
Made in China

**NANOLUX** <sup>DE</sup>  
[www.nanoluxtech.com](http://www.nanoluxtech.com)  
*Illuminating Your Grow*

## PLEASE READ THESE INSTRUCTIONS FIRST BEFORE INSTALLATION

Congratulations on the purchase of your new Nanolux DE FIXTURE 1000W and 600W luminaire. We have done everything to insure a long life and safe operations, but the installations and use of the ballast is the responsibility of the user. Incorrect use or installations can lead to failure and damage to the ballast. Damage to the luminaire and electronic circuitry as a result of incorrect installations and use revokes your warranty. Read this manual carefully before installing your luminaire.

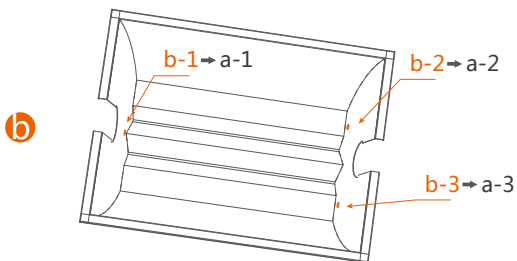
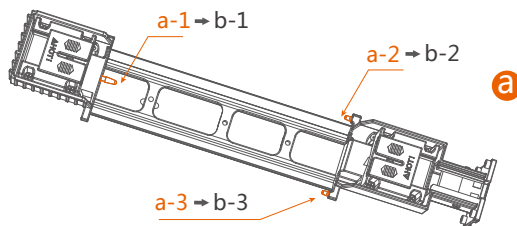
## TECHNICAL SPECIFICATIONS

Model	1000W		600W	
	No Fan	Fan	No Fan	Fan
Input Voltage	208VAC-240VAC	120VAC-240VAC	208VAC-240VAC	120VAC/240VAC
Output Voltage	200V-300V		80V-150V	
Input Frequency	50-60Hz		50-60Hz	
Output Power	1200W Max		600W Max	
Power Factor	≥0.99		≥0.99	
Crest Factor	<1.7		<1.7	
THD	≤10%		≤10%	
Dimming	600W-660W-750W-825W-1000W-1200W		300W-450W-600W-Super-Lux	
Strike Lamp	Double Ended Lamp		Double Ended Lamp	
Protection Function	Over Temperature Protection; Over/Under Voltage Protection; Open/Short Circuit Protection;			
Size (L*W*H)	670*301*115mm 26.4*11.8*4.5 inch	670*330*115mm 26.4*13*4.5 inch	670*240*115mm 26.4*9.4*4.5 inch	670*270*115mm 26.4*10.6*4.5 inch
Weight	5.54 kgs 12.21 lbs	5.88 kgs 12.96 lbs	4.62 kgs 10.2 lbs	4.95 kgs 10.91 lbs

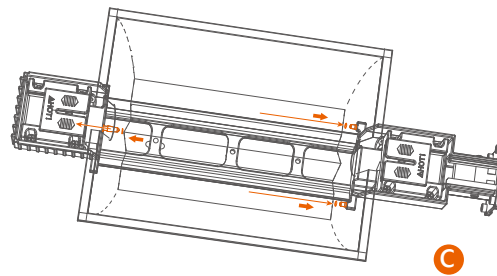
## PRODUCT DESCRIPTION

The Nanolux DE FIXTURE 1000W and 600W are state of the art adjustable horticultural quality luminaire. They are designed to drive the 1000W and 600W Double Ended electronic high frequency HPS lamps. Professional electronic HPS lamps operate at very high frequency to prevent acoustic resonance and to optimize lamp life. The NCCS system is also incorporated.

The fanless luminaire housing is sealed. The housing allows warm air to exit the housing, cool air to enter the housing when cooling down while preventing dust and moisture to enter.



-01-

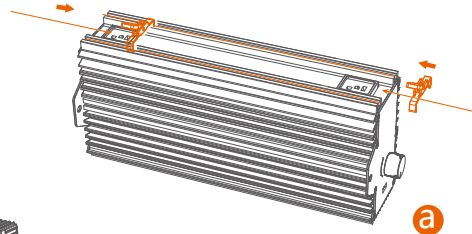


c

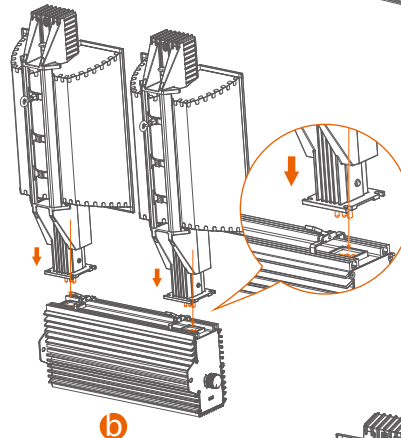
## HOW TO INSTALL LAMP HOLDER ON BALLAST

The Nanolux DE fixture ballasts are designed to drive horticultural high frequency HPS lamps for plant cultivation. They are intended for climate room use. They are suited for a damp location but should not be used outdoors or in wet environments.

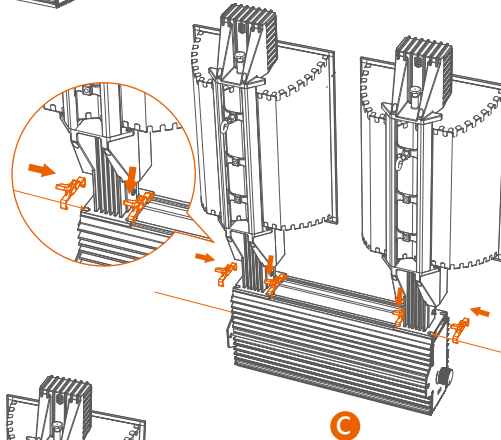
High Intensity Discharge lamps generate intense heat. Installations of HID lamps should follow local installation and safety regulations.



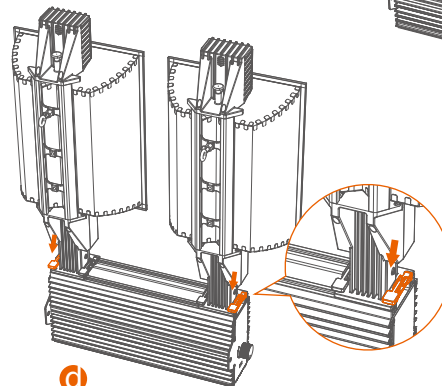
a



b



c



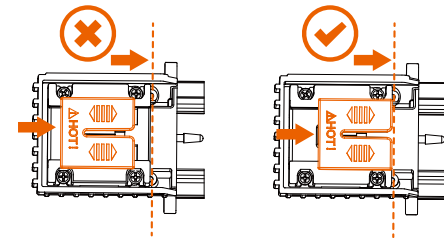
d

-02-

## HOT RESTRIKE

**CAUTION:**

- Always install the lamp before connecting your luminaire to mains.
- Allow lamp to cool 30 minutes before restarting (hot restrike).
- When changing the lamp always disconnect the luminaire from mains by removing the mains plug. Let the lamp and reflector cool down for 30 minutes before changing as they are very hot. When replacing a defect lamp without disconnecting mains the lamp will not start. Disconnecting the power will restart the ballast.
- **DO NOT** touch hot Ceramic socket.
- Make sure the DE lamp wires are correctly within the socket copper wire clamps.
- Make sure to fully close the ceramic socket to the correct position and keep the socket clean to provide proper function.
- **Fragile !!** Be careful and do not exert excessive force while moving the ceramic slider on the ceramic socket connection
- Keep away from water.



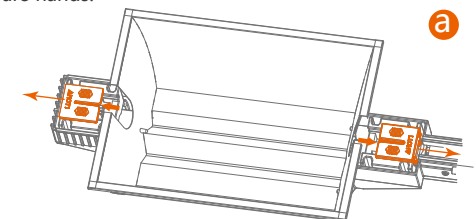
## LAMP REPLACEMENT

### TO TAKE OUT A LAMP:

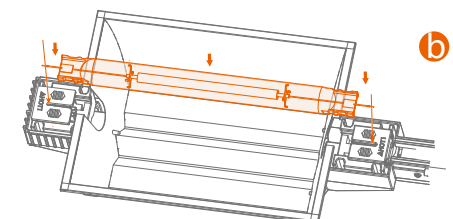
- **DISCONNECT THE MAINS FIRST**
- Open the lamp holders by sliding them outward. The lamp is held by a metal spring at each side, though it is recommended to hold the lamp while opening the lamp holders to prevent the lamp from falling.

### TO INSTALL A NEW LAMP:

- **DISCONNECT FROM MAINS FIRST**
- Make sure the lamp is clean, wear cotton gloves and clean the lamp after installation with a dry soft cloth. Never use detergents to clean a lamp, use pure alcohol or whip clean with a dry clean soft cloth.
- Make sure the end wires are straight.
- Open the lamp holders by sliding them outward. Press the lamp in the fitting until the metal springs hold the lamp, with the glass vacuum seal pointed downward.
- Close the lamp holders by sliding them inward.
- Wipe the lamp with a clean soft cloth.
- Be sure not to touch the reflective material of the reflector with your bare hands.



a



b

-03-